



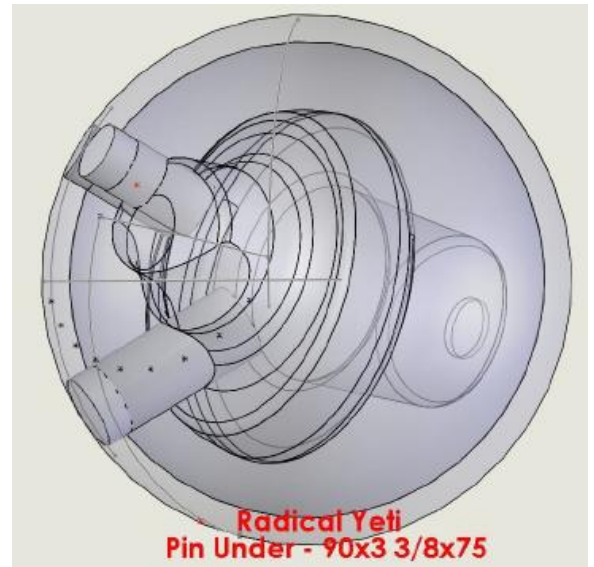
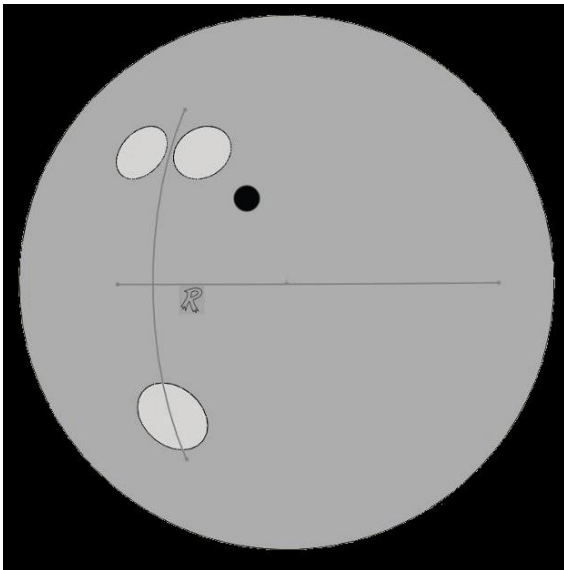
Core Shape Determines Motion

As long as gripping holes, and possibly balance holes, are put into bowling balls, **core shape will determine motion**. Designing bowling balls so that the holes drilled into a bowling ball enhance the ball motion desired and the versatility of the ball by using different drilling layouts is critical. Using this technique provides the best possible bowling balls for bowlers. Taking this into account is an important feature of the design phase of bowling balls at **RADICAL BOWLING TECHNOLOGIES**. Here is a cutaway view of the **Yeti**:



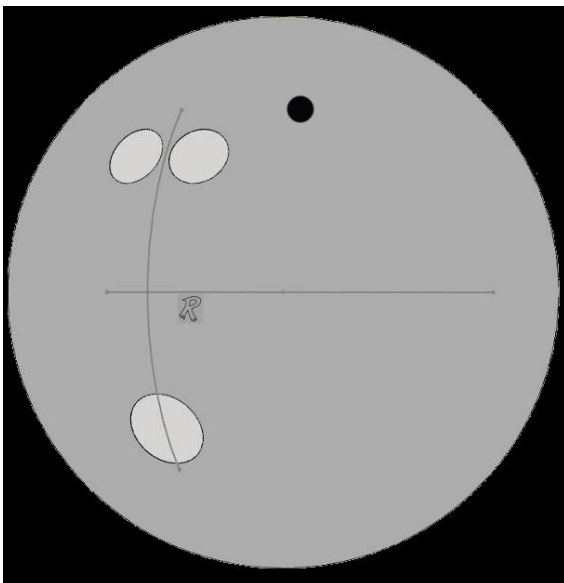
Using two different drilling techniques on the **Yeti** will result in totally different ball motions. Looking at the drilled ball cutaways of the **Yeti** will illustrate how core shape determines motion.

Pin Under Drilling Layout:



Drilled Ball Specs: Intermediate Diff. - .008", Total Diff. - .044"

Pin Over Drilling Layout:



Drilled Ball Specs: Intermediate Diff. - .018", Total Diff. - .062"